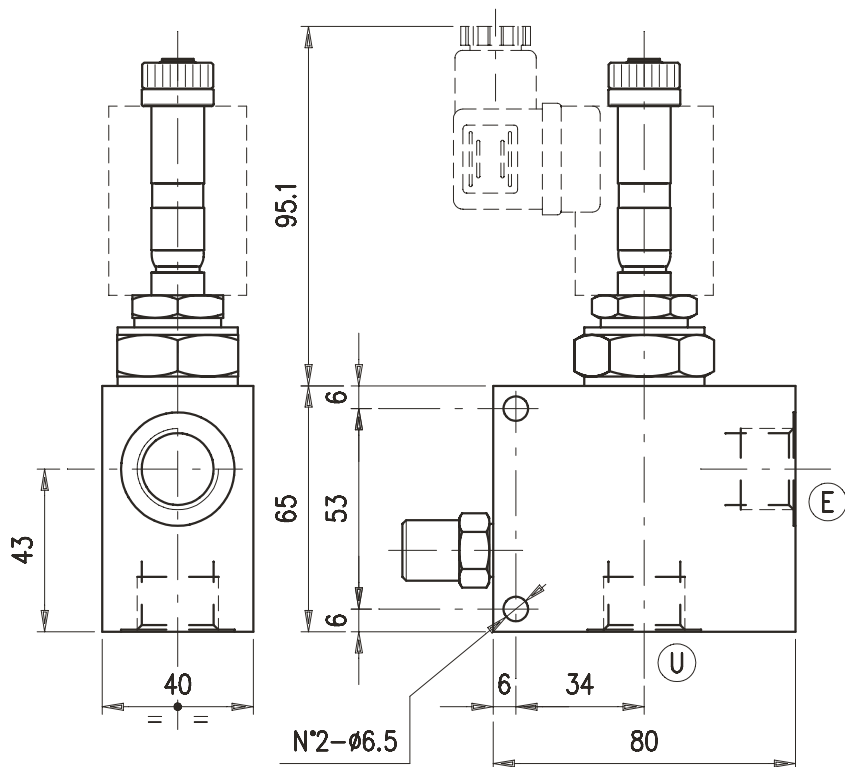
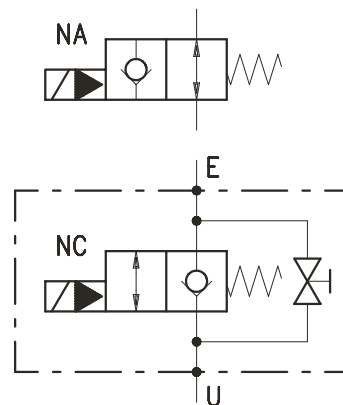


• DIMENSIONS (mm)

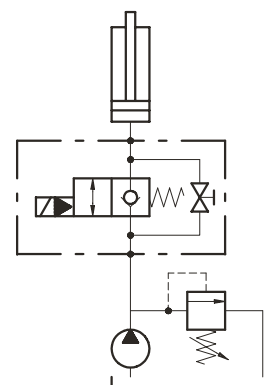


VE/B	E-U
12	G 1/2
34	G 3/4

• HYDRAULIC DIAGRAM



• ASSEMBLY DIAGRAM



• DESCRIPTION

2-way electric valves, pilot-operated, poppet type.

• OPERATION

With the NA (normally opened) valve version and dropped-out solenoid, the oil flow is free from E to U and vice versa. When the solenoid is energized the flow is stopped from E to U and is free from U to E.

With the NC (normally closed) valve version and dropped out solenoid, the oil flow is stopped from E to U and is free from U to E. When the solenoid is energized the flow is free both from E to U and vice versa.

• PERFORMANCE

Maximum flow:

- VE/B 12: 60 l/min
- VE/B 34: 75 l/min.

Maximum pressure:

- Aluminium body 210 bar
- Steel body 350 bar

Solenoids: BT/... see page Z.2001.200. NOTE: BT...RAC solenoids and special connector should be strictly used with the NA version powered by AC current

Oil leaks from E to U: 0.10 cc/minute (2 drops) at 210 bar and oil viscosity of 46 cSt

Working temperature:

- Minimum -25°C max 90°C with standard BUNA N gaskets
- Minimum -20°C max 120°C with VITON gaskets on request

• RECOMMENDATIONS

Fluid: best use mineral oil with viscosity ranging between 10 and 200 cSt

Filter: see page Z.9000.000.

Weight:

- VE/B 12: aluminium body: 0.78 kg - steel body: 1.59 kg
- VE/B 34: aluminium body: 0.76 kg - steel body: 1.55 kg

Cartridge used: see page 9.1000.300.

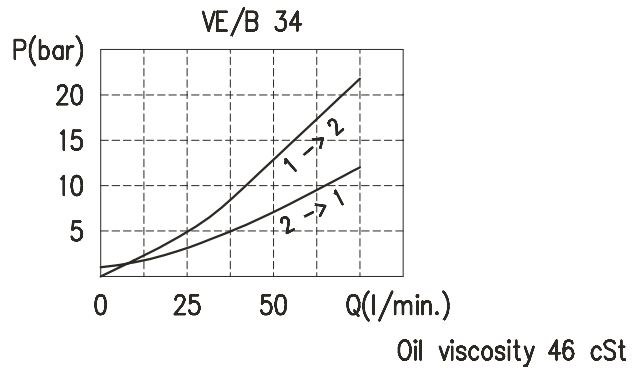
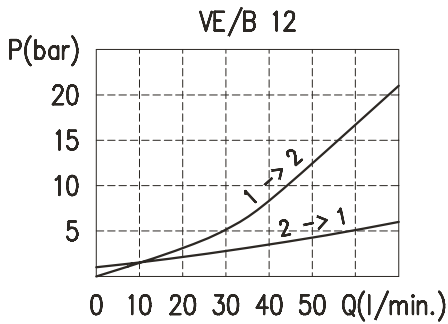
Material: high-grade steel duly treated and fabricated.

For more information please ask our technical office.

Variations and modifications of technical features and dimensions are reserved. **OLEOSTAR S.p.A.** also reserves the right to stop production of each and any model listed in the catalogue with no notice.

Copyrights on the text contained herein belong to **OLEOSTAR S.p.A.** . Partial and full reproductions or copies of this catalogue are forbidden.

• RATING DIAGRAMS



• CODE NUMBER

