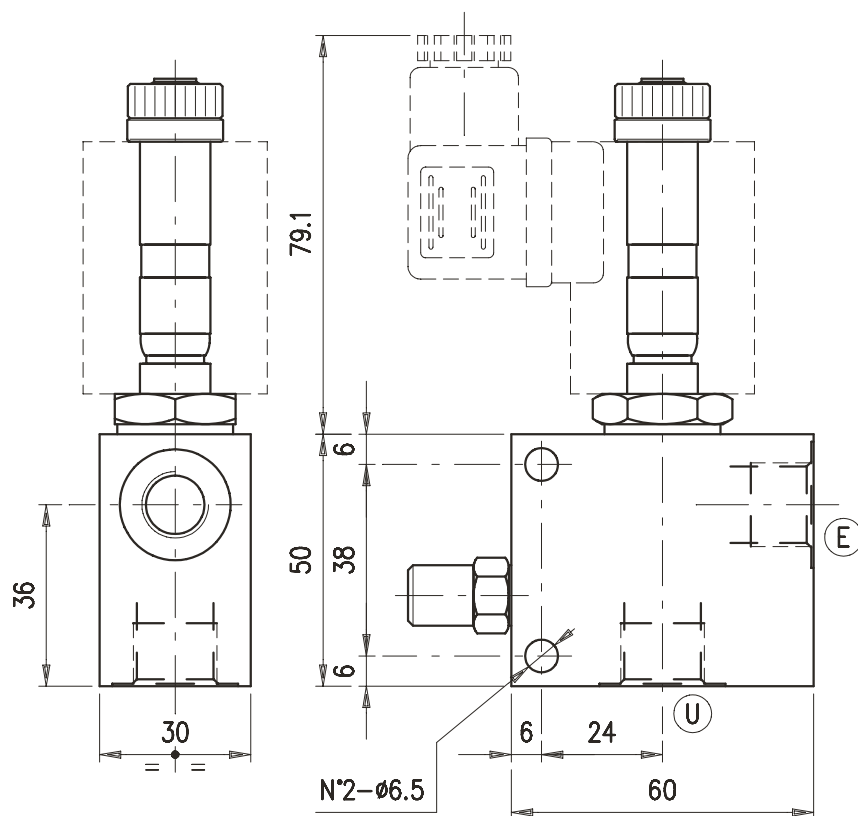
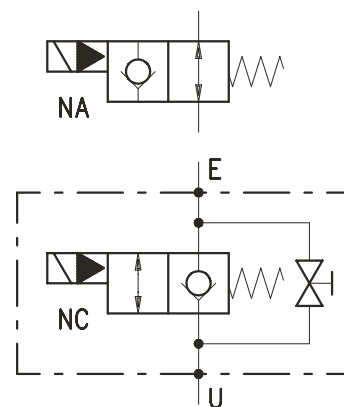


**• DIMENSIONS (mm)**

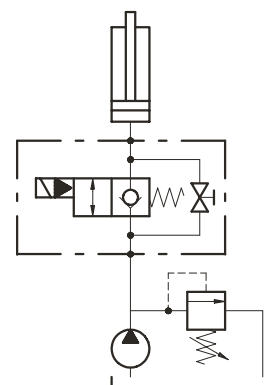


VE/B	E-U
38	G 3/8

**• HYDRAULIC DIAGRAM**



**• ASSEMBLY DIAGRAM**



**• DESCRIPTION**

2-way electric valves, pilot-operated, poppet type.

**• OPERATION**

With the NA (normally opened) valve version and dropped-out solenoid, the oil flow is free from E to U and vice versa. When the solenoid is energized the flow is stopped from E to U and is free from U to E.

With the NC (normally closed) valve version and dropped out solenoid, the oil flow is stopped from E to U and is free from U to E. When the solenoid is energized the flow is free both from E to U and vice versa.

**• PERFORMANCE**

**Maximum flow:** 40 l/min.

**Maximum pressure:**

- Aluminium body 210 bar
- Steel body 350 bar

**Solenoids:** BE/... see page Z.2001.100. NOTE: BT...RAC solenoids and special connector should be strictly used with the NA version powered by AC current

**Oil leaks from E to U:** 0.10 cc/minute (2 drops) at 210 bar and oil viscosity of 46 cSt

**Working temperature:**

- Minimum -25°C max 90°C with standard BUNA N gaskets
- Minimum -20°C max 120°C with VITON gaskets on request

**• RECOMMENDATIONS**

**Fluid:** best use mineral oil with viscosity ranging between 10 and 200 cSt

**Filter:** see page Z.9000.000.

**Weight:**

- 0.34 kg (aluminium body)
- 0.71 kg (steel body)

**Cartridge used:** see page L.1100.250.

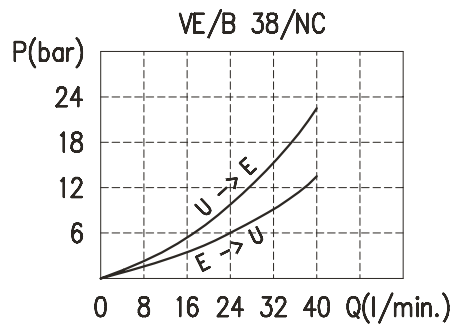
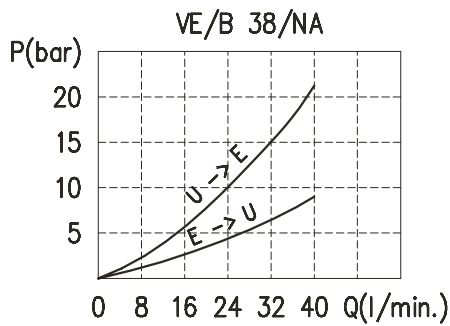
**Material:** high-grade steel duly treated and fabricated.

For more information please ask our technical office.

Variations and modifications of technical features and dimensions are reserved. **OLEOSTAR S.p.A.** also reserves the right to stop production of each and any model listed in the catalogue with no notice.

Copyrights on the text contained herein belong to **OLEOSTAR S.p.A.** . Partial and full reproductions or copies of this catalogue are forbidden.

**• RATING DIAGRAMS**



Oil viscosity 46 cSt

**• CODE NUMBER**

